

- NOTES :**
- ALL DIMENSIONS AND ELEVATIONS ARE IN METERS UNLESS NOTED OTHERWISE.
 - TOPOGRAPHIC AND EXISTING FEATURES SURVEY COMPLETED BY GM BLUEPLAN ENGINEERING ON MARCH 16, 2021 AND MAY 23, 2024.
 - LEGAL INFORMATION DERIVED FROM REGISTERED PLAN SR-7786, SIGNED AUGUST 8, 2003 AND COMPLETED BY IVAN DINGMORE LTD.

BENCHMARKS :

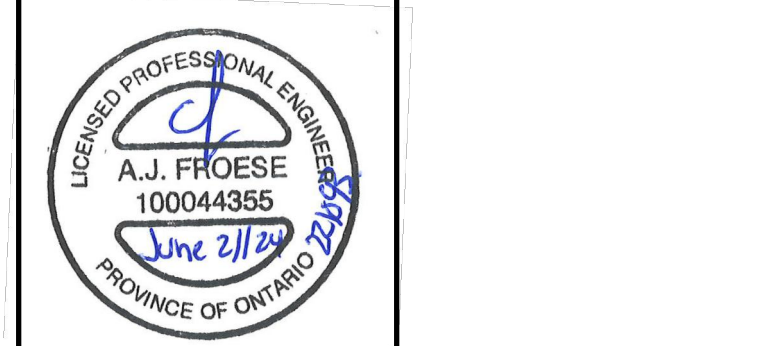
BENCHMARK No. 1 - ELEVATION 217.10m
TOP OF SIB LOCATED AT THE NORTHEAST CORNER OF THE PROPERTY.

BENCHMARK No. 2 - ELEVATION 217.24m
TOP OF SIB LOCATED ON THE NORTH PROPERTY LINE 99.80m WEST OF BENCHMARK No. 1.

BENCHMARK No. 3 - ELEVATION 217.74m
TOP OF IB LOCATED AT THE NORTHWEST CORNER OF THE PROPERTY.

THE POSITION OF PIPE LINES, CONDUITS, WATERMANS, SEWERS AND OTHER UNDERGROUND AND OVERGROUND UTILITIES AND STRUCTURES IS NOT NECESSARILY SHOWN ON THE CONTRACT DRAWINGS AND, WHERE SHOWN, THE ACCURACY OF THE POSITION OF SUCH UTILITIES AND STRUCTURES IS NOT GUARANTEED.

BEFORE STARTING WORK, THE CONTRACTOR SHALL INFORM HIMSELF OF THE EXACT LOCATION OF ALL SUCH UTILITIES AND STRUCTURES, AND SHALL ASSUME ALL LIABILITY FOR ANY DAMAGE TO THEM.



| NO. | DATE | REVISION DESCRIPTION | CHKD |
|-----|------------|---------------------------------------|--------|
| 2 | 06/21/2024 | ISSUED FOR APPROVAL | A.J.F. |
| 1 | 06/09/2024 | PRELIMINARY DESIGN ISSUED FOR COMMENT | A.J.F. |



ABRAFLEX (2004) LTD.

3437 BRUCE ROAD 3, PAISLEY

MUNICIPALITY OF ARRAN-ELDERSLIE

PROPOSED WATERMAIN EXTENSION - SITE PLAN

| | | | |
|------------------------|------------------------|------------------------|--------------------------|
| DRAWN BY: T.J.J. | APPROVED BY: A.J.F. | PROJECT NO.: 221093 | DRAWING NO.: 1 |
| DESIGNED BY: A.J.F. | DATE: JUNE 2024 | SCALE: 1:250 | |

FILE: g:\projects\2024\20240620\20240620_3437 Bruce Road 3, Paisley\Drawings\221093 Base-2024.dwg, LAYOUT: Site Plan
 NOT FOR CONSTRUCTION. REVISED BY: J.F. DATE: 11/21/24

GENERAL NOTES

- DRAWINGS ARE NOT TO BE SCALED.
- ALL DIMENSIONS TO BE CHECKED AND VERIFIED ON THE SITE PRIOR TO ANY CONSTRUCTION. ANY DISCREPANCIES ARE TO BE REPORTED TO THE ENGINEER BEFORE PROCEEDING.
- UNLESS OTHERWISE NOTED ON THE DRAWINGS THE STANDARD MUNICIPALITY OF ARRAN ELDERSLIE, MTO AND OPSD DRAWINGS AND OPSF ARE TO CONSTITUTE PART OF THIS CONTRACT AND DRAWINGS.
- REFER TO O.B.C. - 2012 STANDARDS AND SPECIFICATIONS AND MUNICIPALITY SPECIFICATIONS AND STANDARD DRAWINGS FOR LIST OF APPROVED MANUFACTURERS AND MATERIALS.
- EXISTING STRUCTURES ARE NOT TO BE DISTURBED, NOR ENCROACH ON ADJACENT PROPERTIES UNLESS INSTRUCTED BY THE ENGINEER.
- THE APPROVAL OF THIS PLAN DOES NOT EXEMPT THE OWNERS CONTRACTOR FROM OBTAINING, BUT NOT LIMITED TO THE FOLLOWING PERMITS: ROAD CUTS, SEWER PERMITS, RELOCATION OF SERVICES, ENCROACHMENT AGREEMENTS, APPROACH APPROVAL PERMITS, ETC.
- THESE ARE TO BE READ IN CONJUNCTION WITH THE ARCHITECTURAL PLANS, MECHANICAL PLAN, SITE ELECTRICAL PLANS, AND ANY OTHER PLANS OR DRAWINGS WHICH DEPICT WORKS THAT ARE PROPOSED FOR THIS SITE.
- THE CONTRACTOR SHALL BE RESPONSIBLE FOR ALL TRAFFIC CONTROL AND SAFETY MEASURES DURING THE CONSTRUCTION PERIOD, INCLUDING THE SUPPLY, INSTALLATION AND REMOVAL OF ALL NECESSARY SIGNAGE, DELINEATORS, MARKERS AND BARRIERS. ALL SIGNS, ETC. SHALL CONFORM TO THE STANDARDS AND SPECIFICATIONS FOR THE MUNICIPALITY AND THE MTO MANUAL OF UNIFORM TRAFFIC CONTROL DEVICES FOR ONTARIO.
- THE CONTRACTOR SHALL ENDEAVOUR TO PREVENT MUD TRACKING ONTO EXISTING RIGHT-OF-WAYS AND SHALL PROVIDE FOR CLEANUP AT HIS OWN EXPENSE AS DIRECTED BY THE MUNICIPALITY. THE CONTRACTOR SHALL ALSO BE RESPONSIBLE TO CONTROL DUST ON THE PROJECT AND HE SHALL PROVIDE CONTROLLING MEASURES AS DIRECTED BY THE MUNICIPALITY.
- THE CONTRACTOR IS RESPONSIBLE FOR LOCATING AND PROTECTING ALL EXISTING UTILITIES PRIOR TO AND DURING CONSTRUCTION. LOCATION OF EXISTING UTILITIES TO BE VERIFIED IN THE FIELD.
- ALL CONSTRUCTION WORK IS TO BE CARRIED OUT IN ACCORDANCE WITH THE REQUIREMENTS OF THE OCCUPATIONAL HEALTH AND SAFETY ACT AND REGULATIONS FOR CONSTRUCTION PROJECTS.

GENERAL TESTING AND INSPECTION NOTES

- TESTING OF ALL SERVICES BY GENERAL CONTRACTOR.
- THE GENERAL CONTRACTOR IS RESPONSIBLE FOR CONTACTING GM BLUEPLAN ENGINEERING LIMITED FOR THE COMPLETION OF ALL REQUIRED SITE INSPECTIONS.

SEDIMENT AND EROSION CONTROL NOTES

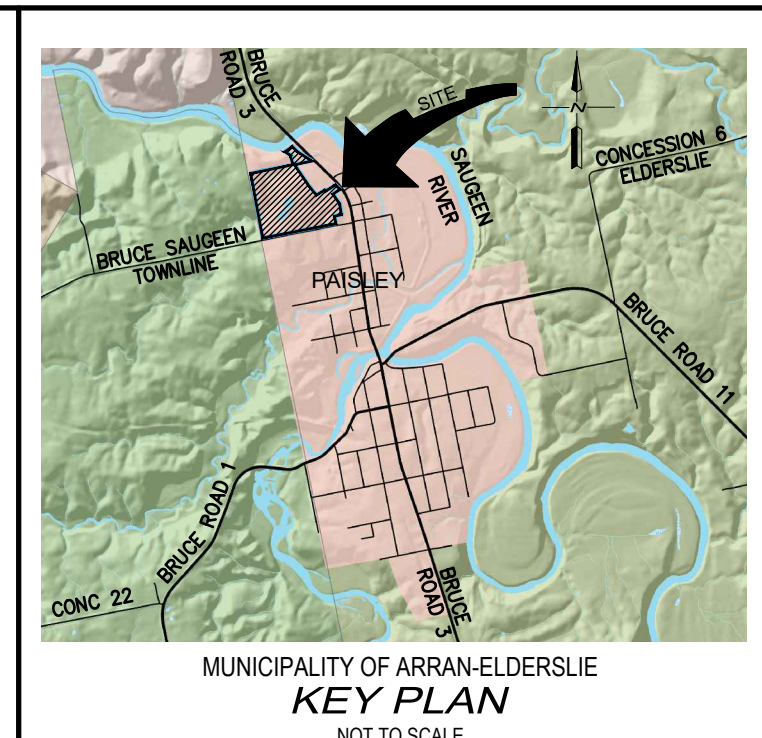
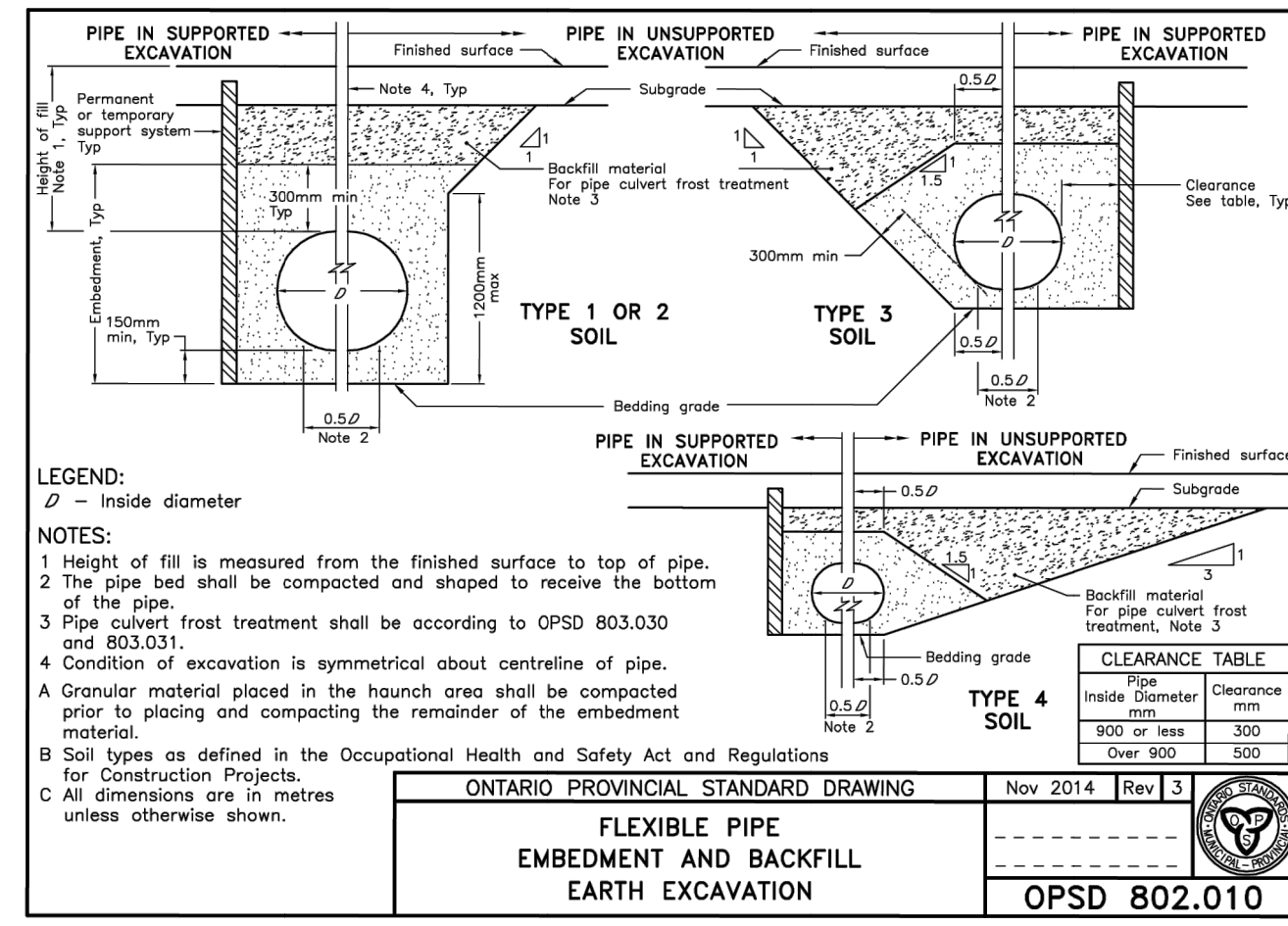
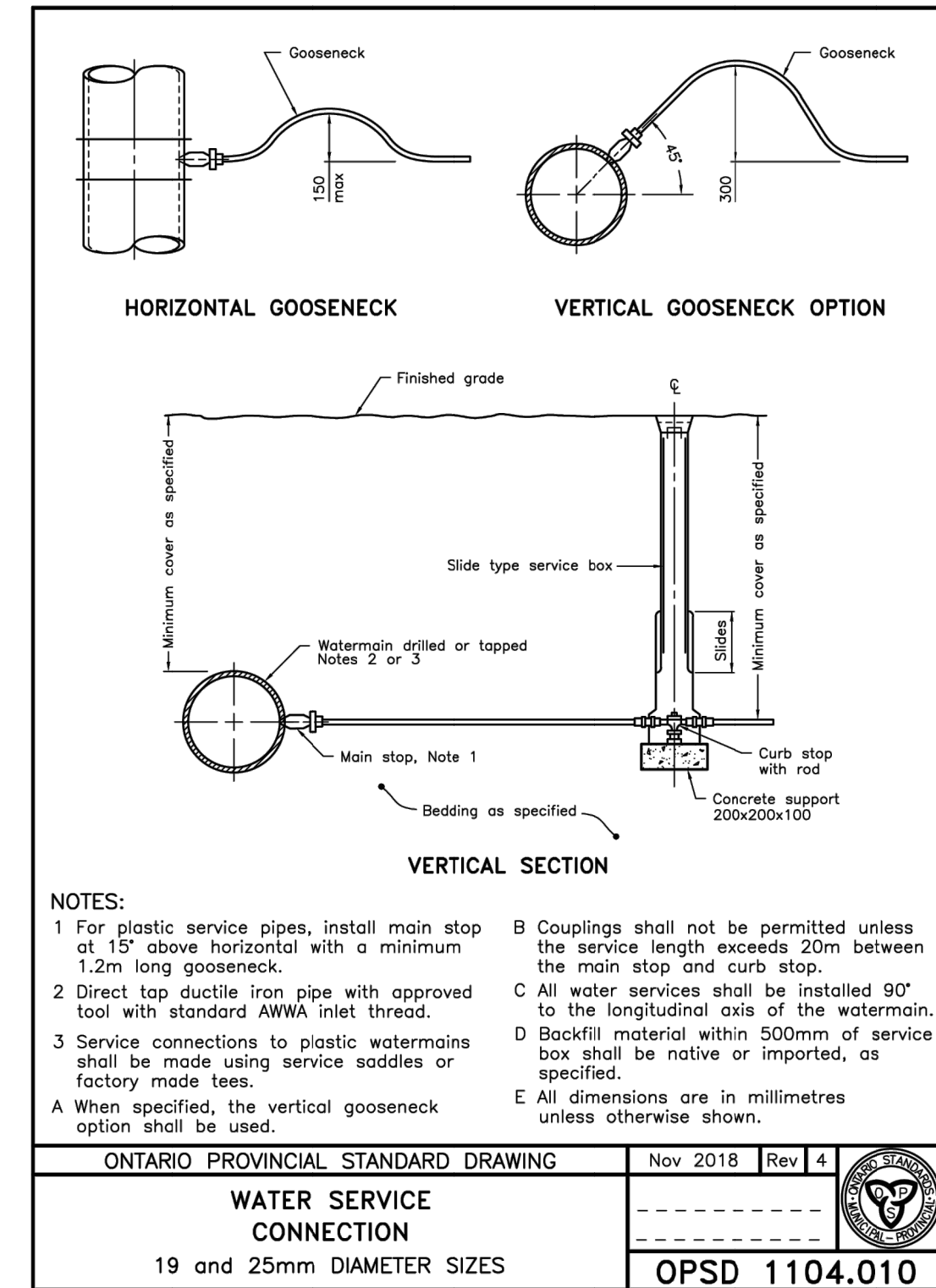
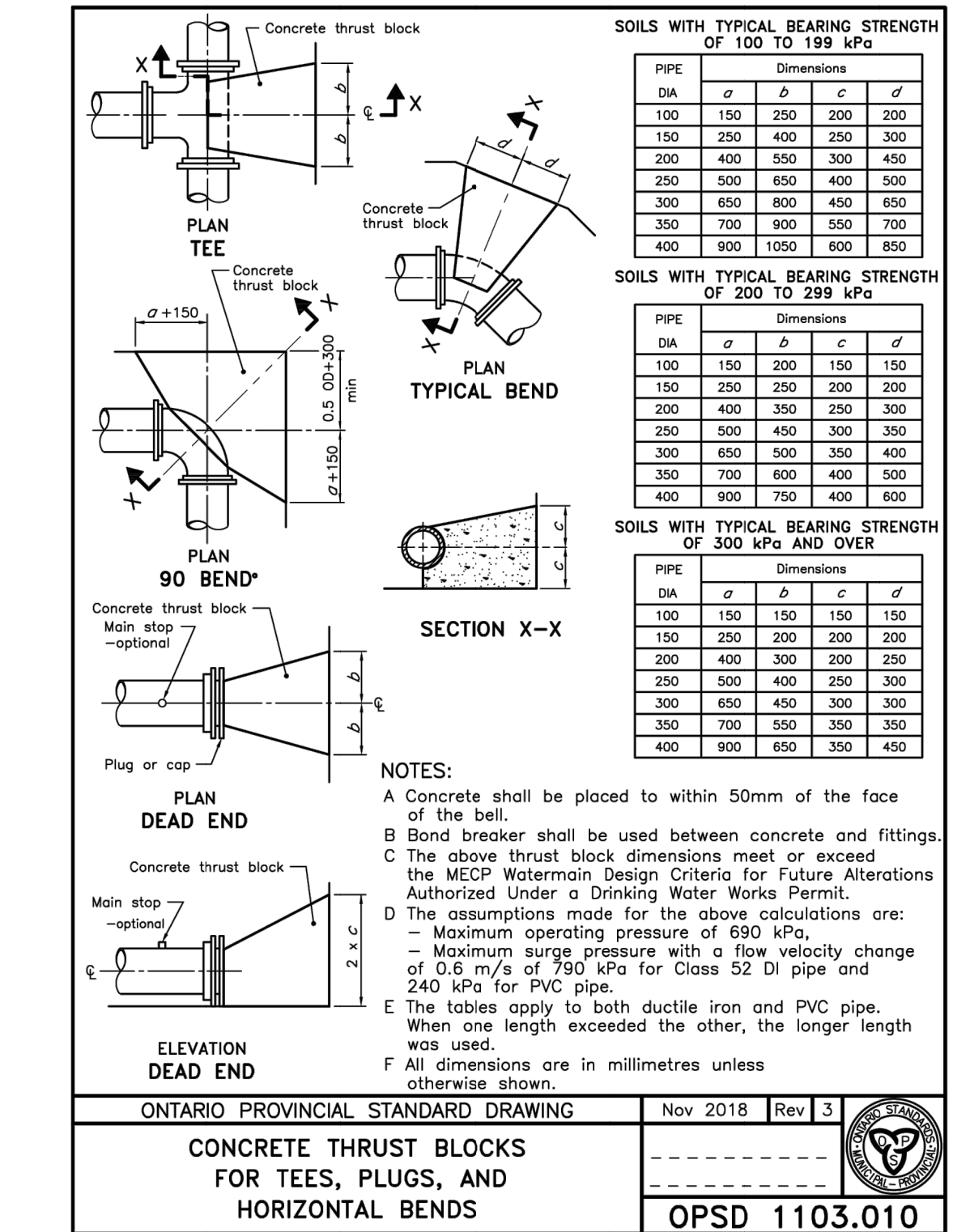
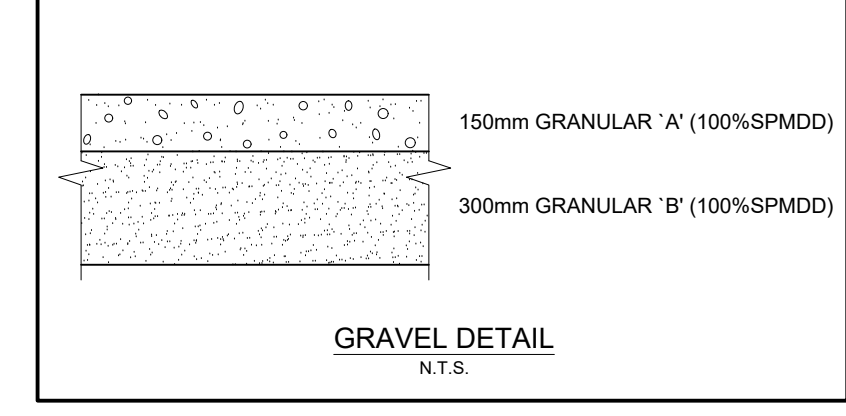
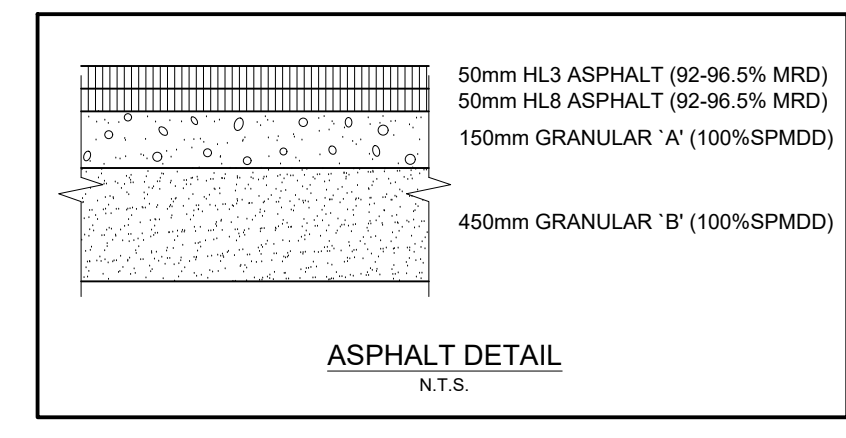
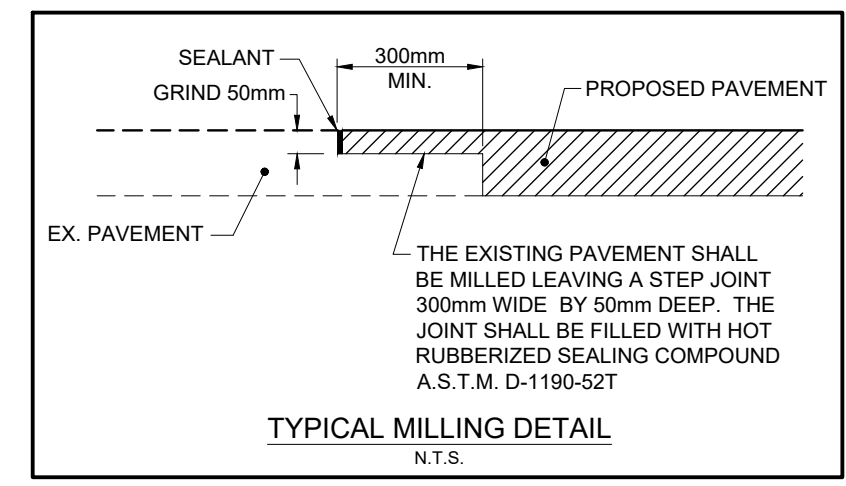
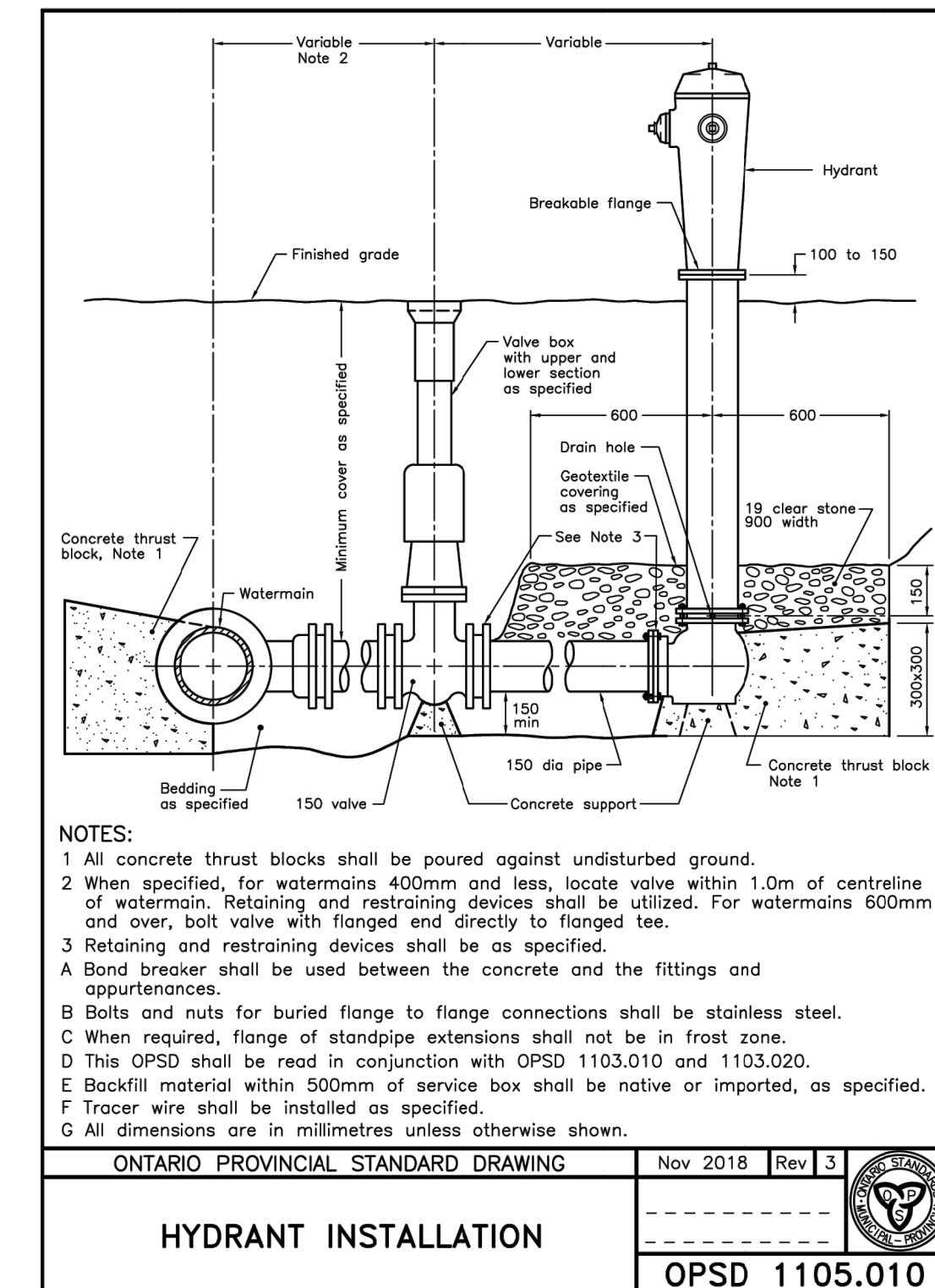
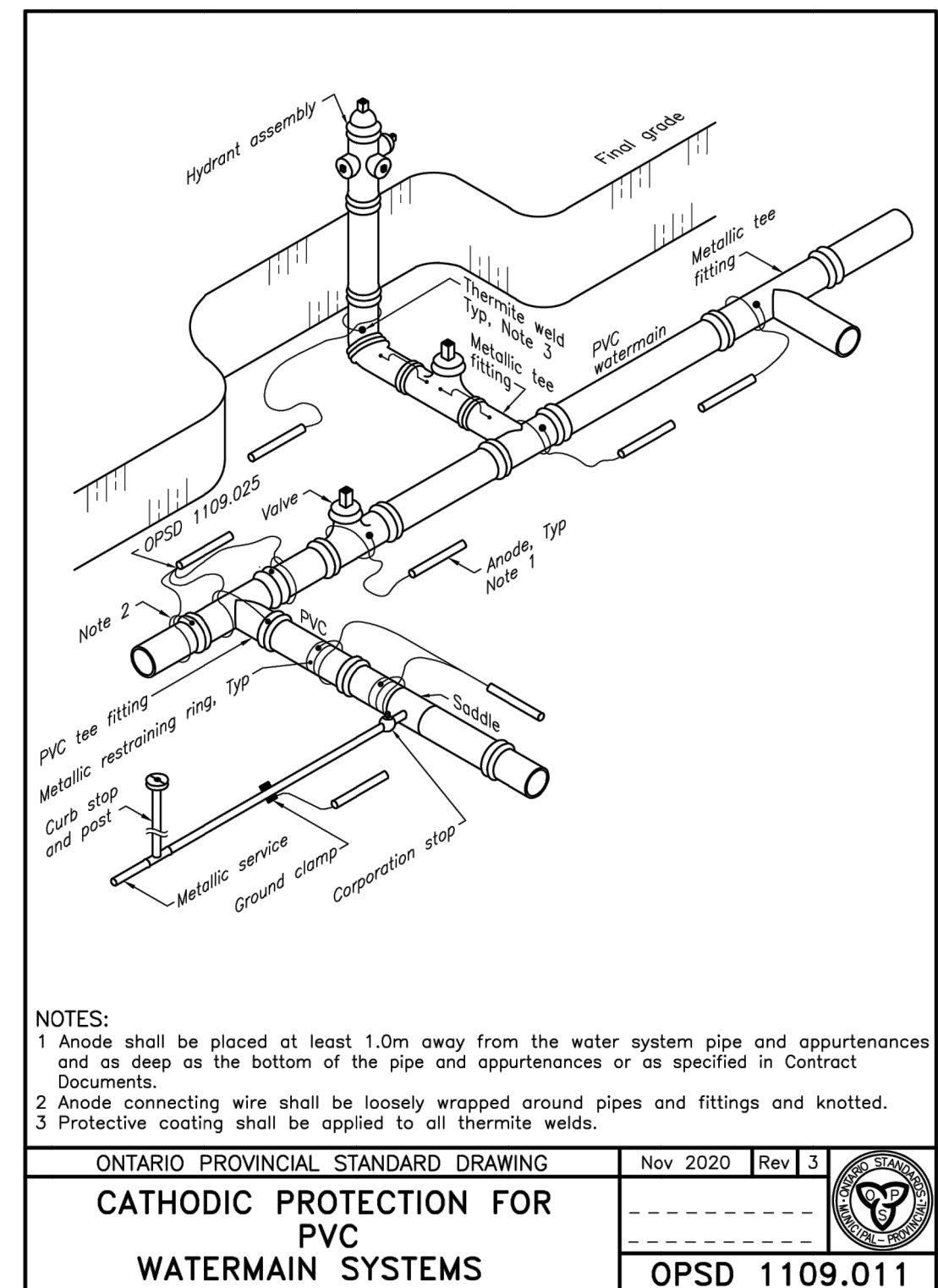
- SITE WORKS ARE TO BE STAGED IN SUCH A MANNER THAT EROSION WILL BE MINIMIZED AND THAT BARRIERS AND SEDIMENTATION FACILITIES WITHIN THE SITE ARE PROVIDED TO CONTROL ANY EROSION THAT DOES OCCUR.
- CLEARING AND GRUBBING OF THE SITE SHOULD BE KEPT TO A MINIMUM AND VEGETATION REMOVED ONLY IN ADVANCED OF IMMEDIATE CONSTRUCTION.
- STOCKPILES OF EARTH OR TOPSOIL ARE TO BE LOCATED AND PROTECTED TO MINIMIZE ENVIRONMENTAL INTERFERENCE. STOCKPILES SHOULD NOT BE LOCATED IMMEDIATELY ADJACENT TO DITCHES OR ROAD ALLOWANCES. EROSION CONTROL FENCING IS TO BE INSTALLED AROUND THE BASE OF ALL STOCKPILES. A PERIMETER DITCH LEADING TO A SETTLING AREA OR SEDIMENTATION TRAP SHOULD BE INSTALLED AROUND THE STOCKPILE. MATERIALS SURPLUS TO THE NEEDS OF THE SITE DEVELOPMENT ARE TO BE REMOVED BY THE CONTRACTOR.
- ADDITIONAL EROSION CONTROL MEASURES MAY BE REQUIRED AS SITE DEVELOPMENT PROGRESSES. THE CONTRACTOR IS TO PROVIDE ALL ADDITIONAL EROSION CONTROL STRUCTURES.
- THE CONTRACTOR IS RESPONSIBLE TO ENSURE THAT MUNICIPAL ROADWAYS AND SIDEWALKS AREA CLEANED OF ALL SEDIMENTS FROM VEHICULAR TRACKING ETC. TO AND FROM THE SITE AT THE END OF EACH WORK DAY.
- ALL DISTURBED AREAS NOT INCLUDED IN CONSTRUCTION TO BE RE-TOPSOILED AND RE-SEEDED IMMEDIATELY AFTER COMPLETION OF AREA GRADING.

GRADING

- THE GRADING PLAN IS TO BE READ WITH THE SITE SERVICES DRAWINGS.
- CONTRACTOR TO RESTORE AREAS ON PUBLIC R.O.W. OR ADJACENT LANDS THAT HAVE BEEN DISTURBED DURING CONSTRUCTION TO PREVIOUS CONDITION OR BETTER.
- ALL FILL WITHIN THE SITE TO BE COMPACTED TO A MIN. OF 98% S&D PROCTOR DRY DENSITY. ALL FILL WITHIN THE SITE PARKING AREA TO BE COMPACTED TO A MIN. OF 95% SPD. THE SUITABILITY OF ALL FILL MATERIALS ARE TO BE CONFIRMED BY A RECOGNIZED SOILS CONSULTANT TO THE DIRECTOR OF PUBLIC WORKS PRIOR TO INSTALLATION OF ANY ROAD BASE MATERIALS.
- GRASS AREAS TO BE RESTORED WITH 150mm TOPSOIL (OPSS 802) AND SOD (OPSS 803).
- ALL COMPACTION TO BE CERTIFIED BY A GEOTECHNICAL CONSULTANT.
- PAVEMENT GRADE SHALL BE MIN. 1%, MAX. 6%.

WATER

- CONTRACTOR TO PROVIDE DETAILED WATERMAIN COMMISSIONING PLAN PRIOR TO CONSTRUCTION, COMPLETE WITH A TEMPORARY WATERMAIN PLAN IF REQUIRED, FOR THE MUNICIPALITIES REVIEW AND APPROVAL.
- ALL WATERMAIN MATERIALS, INSTALLATION METHODS AND TESTING SHALL CONFORM TO OBC-2012 AND MUNICIPALITY SPECIFICATIONS.
- ALL WATERMAIN AND WATER SERVICE PIPES SHALL HAVE A MINIMUM 1.7m OF COVER. PIPING TO BE INSULATED IF MINIMUM COVER CANNOT BE ACHIEVED.
- CLASS 'B' BEDDING AS PER OPSD-802.030 (RIGID PIPE) OR BEDDING AS PER OPSD-802.010 (FLEXIBLE PIPE) USING GRANULAR 'A'.
- ALL WATERMAIN FITTINGS AND APPURTENANCES TO BE SELECTED FROM THE MUNICIPALITY'S APPROVED MATERIAL LIST FOR WATERMANS.
- WATERMANS SHALL HAVE A MINIMUM VERTICAL SEPARATION OF 0.5m AND HORIZONTAL SEPARATION OF 2.5m BETWEEN ANY SEWER OR MANHOLE.
- ALL WORKS WITHIN MUNICIPALITY RIGHT-OF-WAY TO BE COORDINATED WITH PERFORMED BY MUNICIPALITY WATER DEPARTMENT.
- CONTRACTOR TO CONFIRM THE SIZE, LOCATION, OVERTS AND MATERIAL TYPE OF EXISTING WATER SERVICE AND WATERMAIN AT THE START OF CONSTRUCTION.
- ALL RELOCATION, RECONSTRUCTION AND RESTORATION TO BE PERFORMED TO THE SATISFACTION OF THE DIRECTOR OF PUBLIC WORKS.
- ALL CONNECTIONS WITH PAVED PORTIONS OF EXISTING ROADS TO BE BACKFILLED WITH GRANULAR 'A' MATERIAL OR AS PER LATEST MUNICIPALITY SPECIFICATIONS.
- FLUSHING, SWABBING, AND TESTING OF WATERMAIN SHALL BE CONDUCTED BY THE CONTRACTOR AS PER ONTARIO PROVINCIAL STANDARD SPECIFICATIONS.
- VALVE AND BOX TO BE INSTALLED AS PER MUNICIPALITY SPECIFICATIONS.
- BACKFLOW PREVENTION IS TO BE PROVIDED FOR THE WATER SUPPLY INTERNAL TO PREVENT CONTAMINATION IN ACCORDANCE WITH MUNICIPALITY POLICY 047.



NOTES:

- All concrete thrust blocks shall be poured against undisturbed ground.
- When specified, for watermains 400mm and less, locate valve within 1.0m of centreline of watermain. Retaining and restraining devices shall be utilized. For watermains 600mm and over, bolt valve with flanged and directly to flanged tee.
- Retaining and restraining devices shall be as specified.
- A Bond breaker shall be used between the concrete and the fittings and appurtenances.
- B Bolts and nuts for buried flange to flange connections shall be stainless steel.
- C When required, flange of standpipe extensions shall not be in frost zone.
- D This OPSD shall be read in conjunction with OPSD 1103.010 and 1103.020.
- E Backfill material within 500mm of service box shall be native or imported, as specified.
- F Tracer wire shall be installed as specified.
- G All dimensions are in millimetres unless otherwise shown.

THE POSITION OF POLY LINES, CONDUITS, WATERMANS, SEWERS AND OTHER UNDERGROUND AND OVERGROUND UTILITIES AND STRUCTURES IS NOT NECESSARILY SHOWN ON THE CONTRACT DRAWINGS AND WHERE SHOWN THE ACCURACY OF THE POSITION OF SUCH UTILITIES AND STRUCTURES IS NOT GUARANTEED.

BEFORE STARTING WORK, THE CONTRACTOR SHALL INFORM HIMSELF OF THE EXACT LOCATION OF ALL SUCH UTILITIES AND STRUCTURES, AND SHALL ASSUME ALL LIABILITY FOR ANY DAMAGE TO THEM.



| NO. | DATE | REVISION DESCRIPTION | CHKD |
|-----|------------|---------------------------------------|--------|
| 2 | 06/21/2024 | ISSUED FOR APPROVAL | A.J.F. |
| 1 | 06/09/2024 | PRELIMINARY DESIGN ISSUED FOR COMMENT | A.J.F. |



ABRAFLEX (2004) LTD.

3437 BRUCE ROAD 3, PAISLEY

MUNICIPALITY OF ARRAN-ELDERSLIE

DETAILS AND NOTES

| DRAWN BY: | APPROVED BY: | PROJECT NO.: | DRAWING NO.: |
|--------------|--------------|--------------|--------------|
| T.J.J. | A.J.F. | 221093 | 2 |
| DESIGNED BY: | DATE: | SCALE: | |
| A.J.F. | JUNE 2024 | AS SHOWN | |

FILE: \\g:\projects\2024\06\20240610\ONARIO\LIMITED\20240610_221093\Drawings\20240610_Basic\2024.dwg LAYOUT DETAILS AND NOTES
 NOT CONTROLLED BY THE PROJECT MANAGER. DATE: 2024-06-10 10:24:24 AM